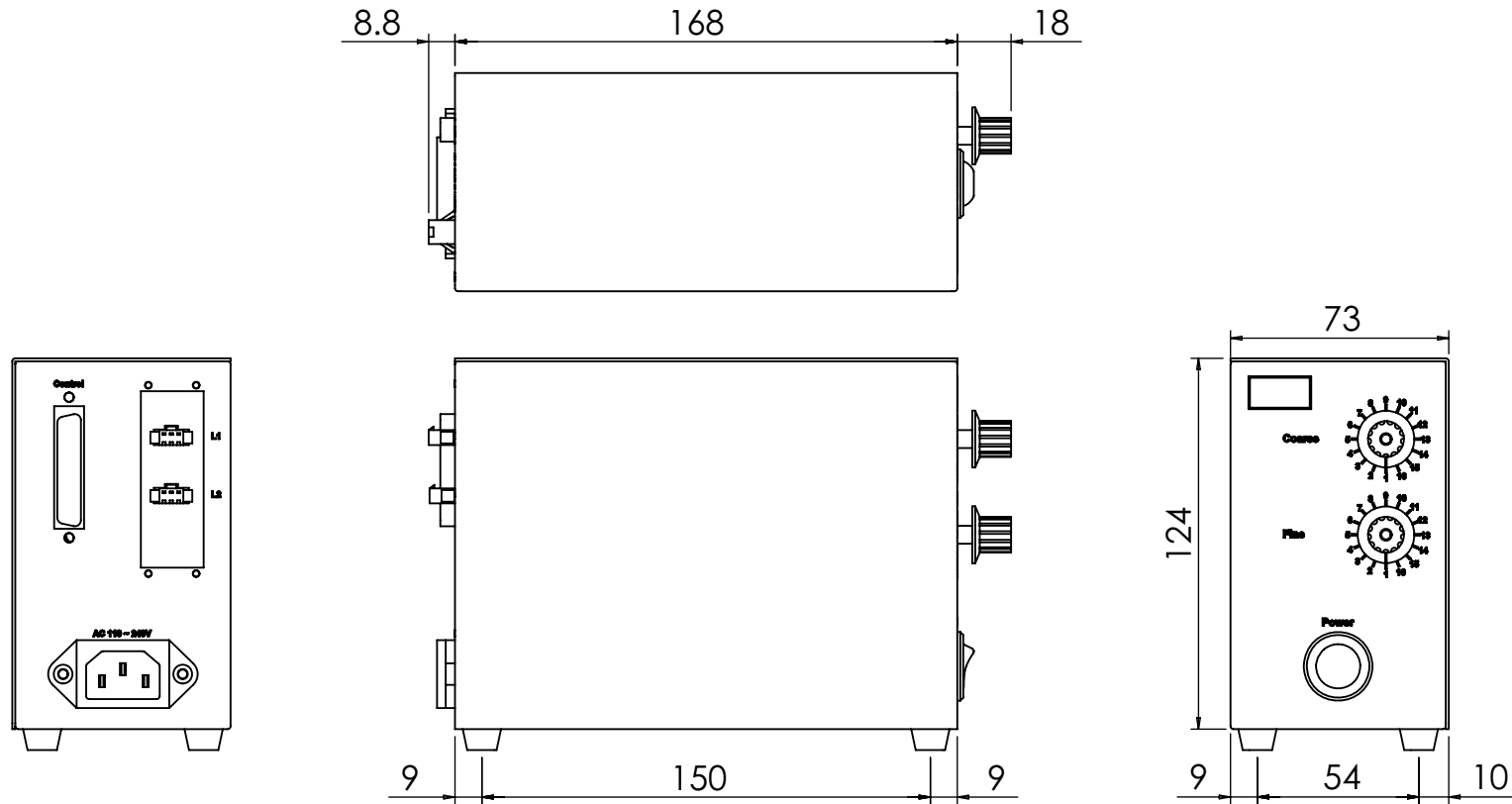


Model	PSD-1256-12V/25W	PSD-1256-15V/25W	PSD-1256-24V/25W	PSD-1256-24V/60W
Description	1 x 256 Steps Digital Control			
Input Power Supply	AC100~240V			
Output	12V/25W	15V/25W	24V/25W	24V/60W
Output Connector	SMP-02V x 1	SMP-02V x 1	SMP-03V x 1	SMP-03V x 1
Material	Metal			

Third Angle Projection Units: mm



LED  LED Illumination (M) Sdn Bhd

PSD-1256 Series