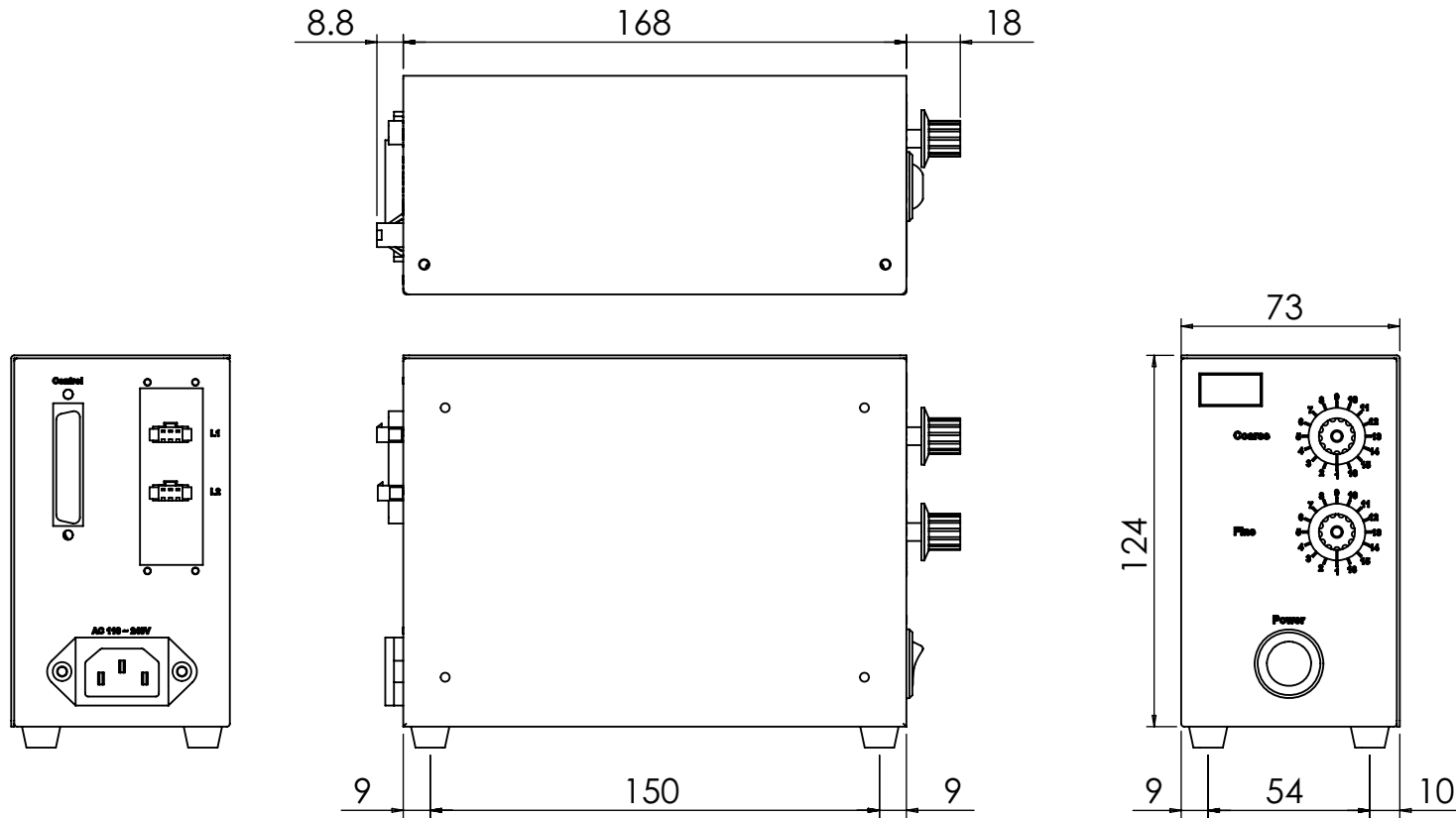


Model	PSD-1256S-15V/25W	PSD-1256S-24V/25W	PSD-1256S-48V/25W	PSD-1256S-24V/60W	PSD-1256S-48V/60W
Description	1 x 256 Steps Strobe Control				
Input Power Supply	AC100~240V				
Output	15V/25W	24V/25W	48V/25W	24V/60W	48V/60W
Output Connector	SMP-02V x 1	SMP-03V x 1	SMP-03V x 1	SMP-03V x 1	SMP-03V x 1
Material	Metal				

**Third Angle Projection**      **Units: mm**



**LED**  **LED Illumination (M) Sdn Bhd**

**PSD-1256S Series**