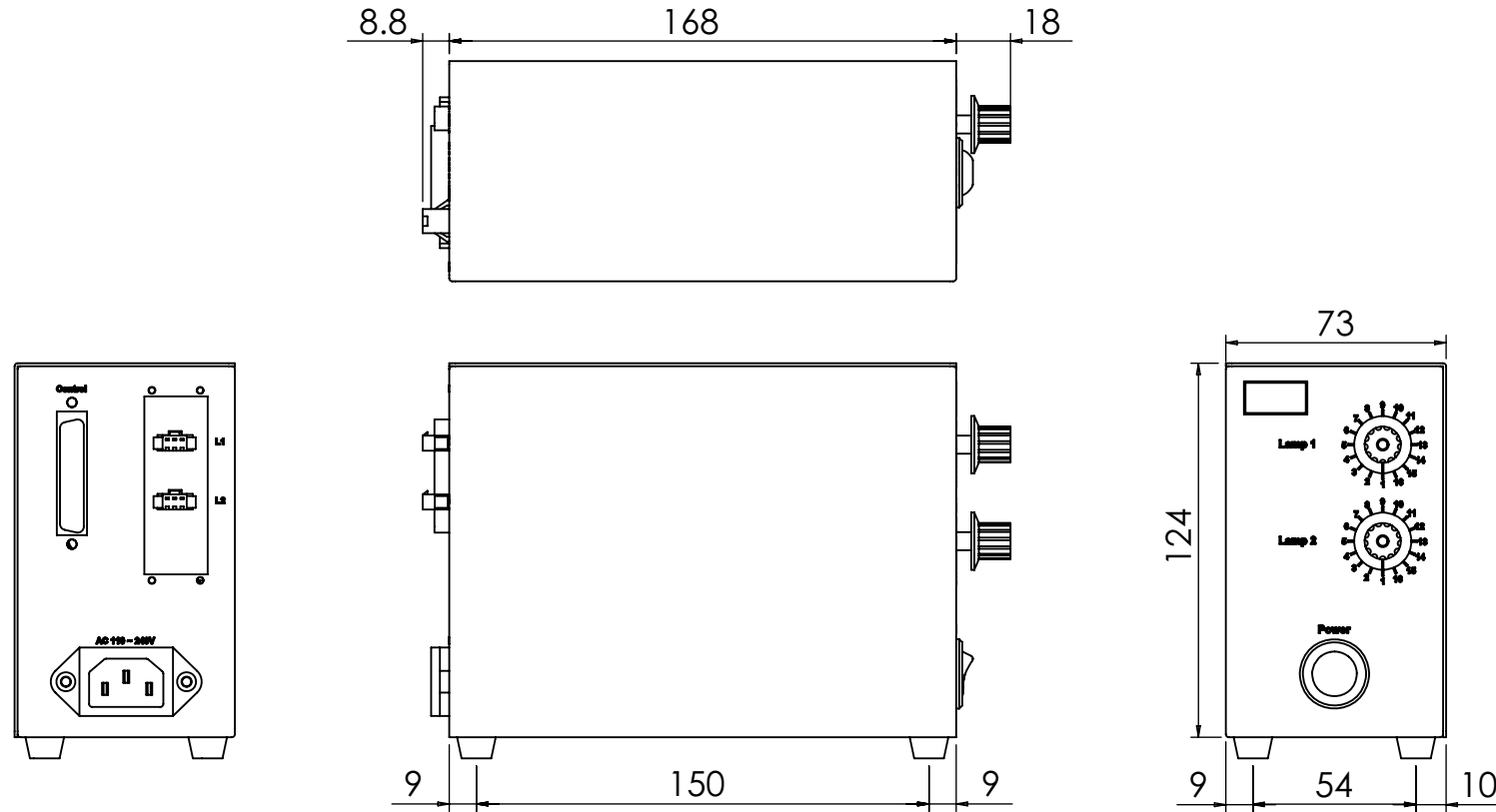


Model	PSD-2016-12V/25W	PSD-2016-15V/25W	PSD-2016-24V/25W	PSD-2016-24V/60W
Description	2 x 16 Steps Digital Control			
Input Power Supply	AC100~240V			
Output	12V/25W	15V/25W	24V/25W	24V/60W
Output Connector	SMP-02V x 2	SMP-02V x 2	SMP-03V x 2	SMP-03V x 2
Material	Metal			

**Third Angle Projection Units: mm**



**LED  LED Illumination (M) Sdn Bhd**

**PSD-2016 Series**